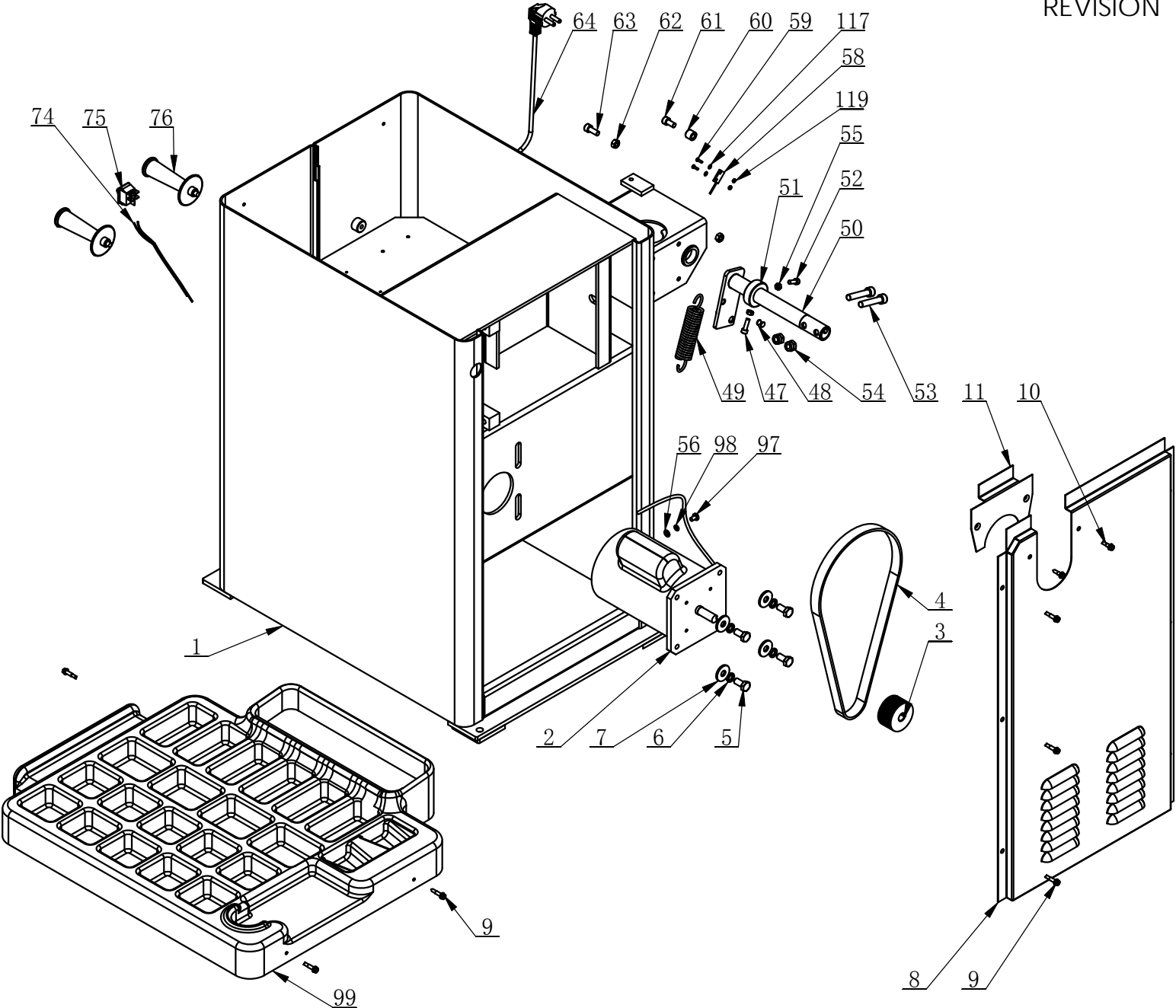


REVISION :A02

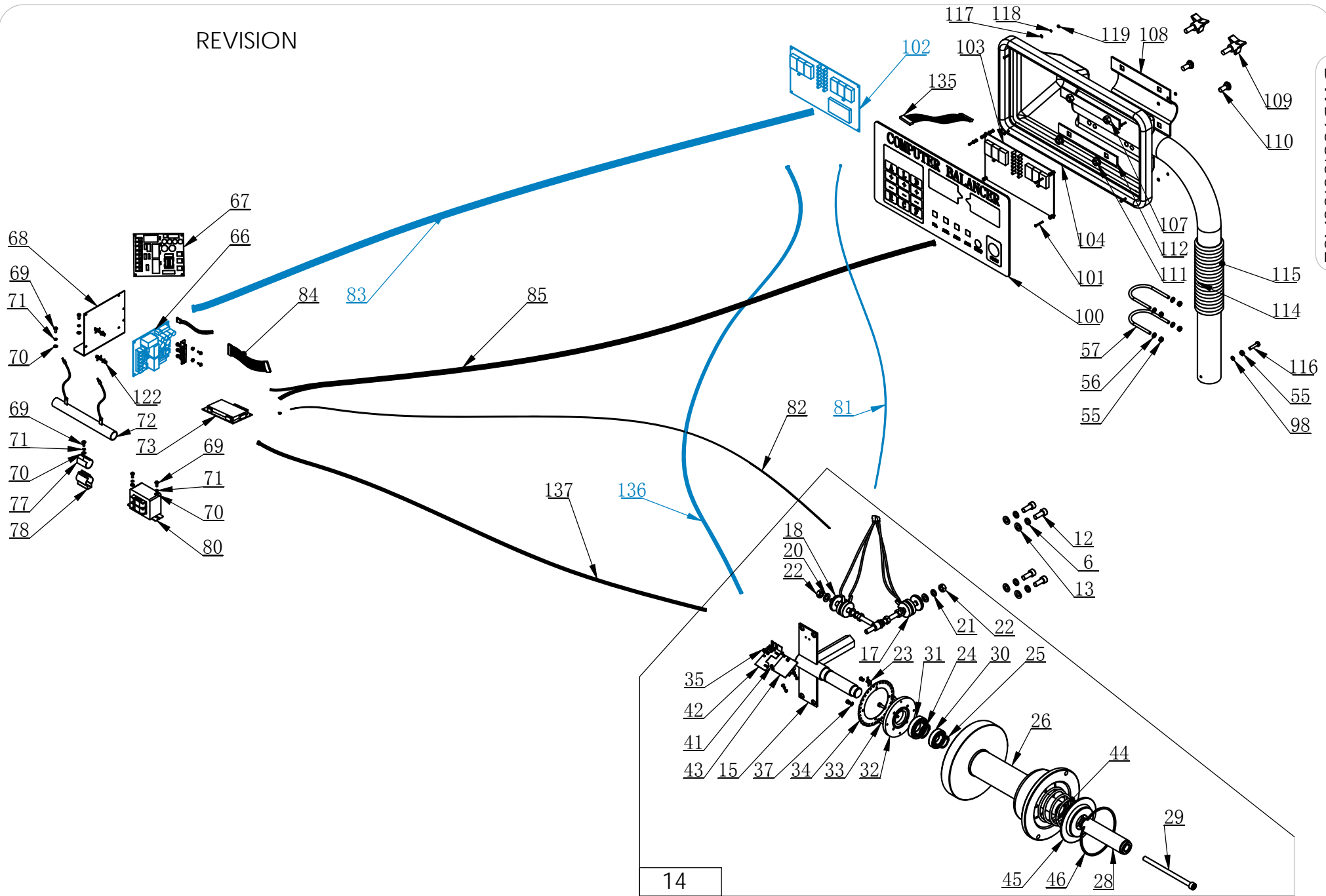
DWB953

DWB953.00.00A02



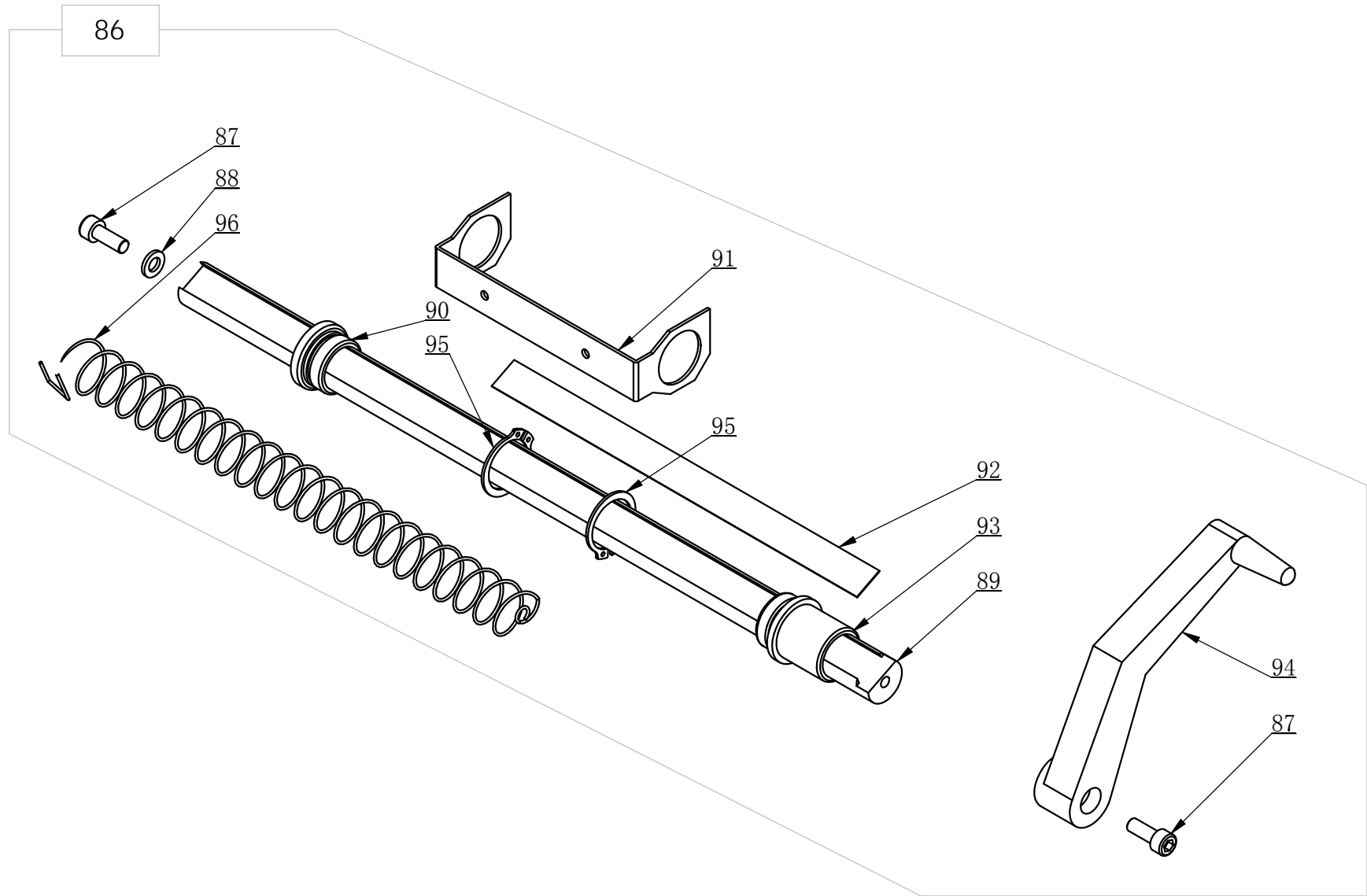
REVISION

DWB953.00.00A02

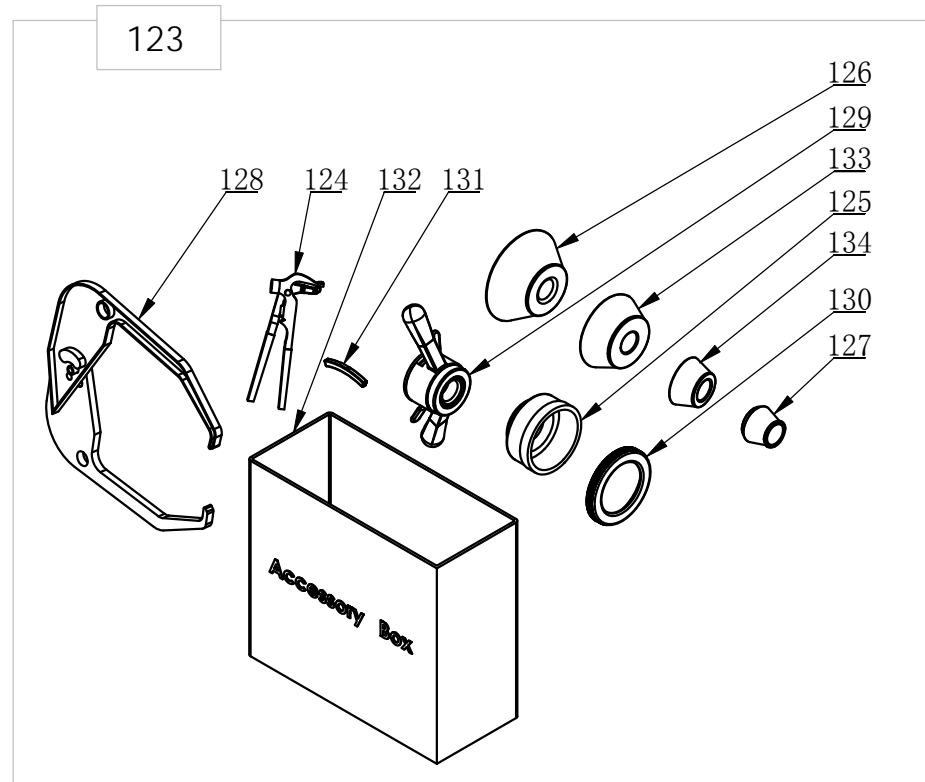
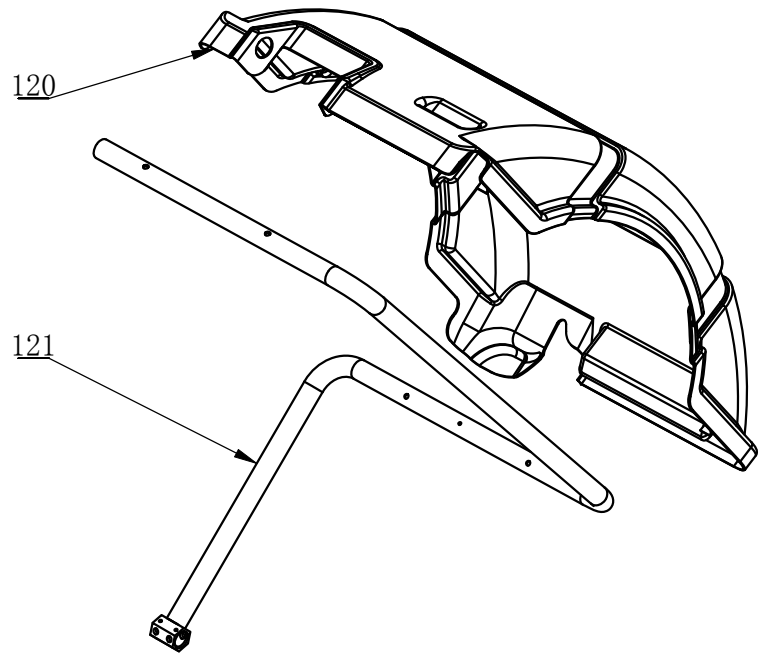


REVISION

DWB953.00.00A02







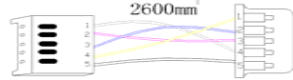
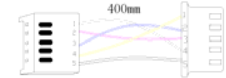
REVISION



ITEM	PART №	Description.	QTY	NOTE
1	6008501	BODY	1	
2	5508001	MOTER (220v)	1	
3	6008503	MOTOR BELT PULLEY	1	
4	5508002	WEDGE BELT (940mm)	1	
5	5008041	SCREW M10X20	4	
6	5010006	WASHER 10	8	
7	5008001	NON-STANDARD WASHER	4	
8	6008511	FRONT DOOR	1	
9	5008003	SCREW ST5. 5X25	14	
10	5008010	SCREW ST5. 5×19	2	
11	6008512	FRONT DOOR CONNECT PLATE	1	
12	5010064	SCREW M10X25	4	
13	5004221	WASHER 10	4	
14	6008518	BALANCING SHAFT ASSEMBLY	1	
15	6008526	FIXING SHAFT WELDING	1	
16	6008533	FULL BOTTON SCREW	1	
17	5508040	SENSOR	2	
18	6008530	PRESSING WASHER	2	
19	6008553	FLYING RINGS SCREW	1	
20	5004221	WASHER 10	5	
21	5010006	WASHER 10	3	
22	5008004	NUT M10	5	
23	6008524	PHOTOELECTRIC TOOTH	1	
24	5002023	RINGS CSB 30	1	
25	5002030	CIRCLIP 25	1	
26	6008527	MAIN SHAFT WELDING	1	
27	5010215	SCREW M5X16	3	
28	6008529	LEADING SCREW	1	
29	5008029	SCREW M10×160	1	
30	5008024	BALL BEARING 6005	1	
31	5008028	BALL BEARING 6006	1	
32	6008528	BEARING PRESS HOUSING	1	
33	5002059	SCREW M5X16-N	4	
34	6008531	PHOTOELECTRIC SET	1	
35	5008002	SCREW M4×8	6	
36	5000068	WASHER 4	6	
37	5010040	WASHER 4	5	
38	5010214	WASHER 3	2	
39	5000079	WASHER 3	2	
40	5008026	NUT M3	2	
41	5000078	SCREW M3×8	2	
42	6008525	PHOTOELECTRIC CELL PLATE	1	
43	5508041	ANGLE SENSOR-00. 11. 034	1	
44	5509185	SPRING	1	FROM SN:909090001
45	5509186	SPRING PRESS COVER	1	FROM SN:909090001
46	5007969	ROLLAR	1	FROM SN:909090001
47	5004032	SCREW M6X20-N	1	
48	5509023	MAGNET	2	
49	5508031	SUPPORT PIPE EXTENSION	1	
50	6008513	SUPPORT PIPE	1	
51	6008515	TIGHT BUSHING	1	
52	5009015	SCREW M6X16	1	
53	5010093	SCREW M10X50	2	
54	5006001	NUT M10	2	
55	5007001	NUT M6	7	

ITEM	PART №	Description.	QTY	NOTE
56	5000007	WASHER 6	5	
57	8008509	PIPE BASE U-CLAMPR	2	
58	5509024	STROKE SWITCH	1	
59	5010065	SCREW M3X10	7	
60	6008514	ACCENTRICAL SHAFT	1	
61	5000002	SCREW M8X16-N	1	
62	5008011	NUT M8	2	
63	5010063	SCREW M8X20	1	
64	5508012	POWER CABLE	1	
65	6008843	RADIATOR FIN	1	
66	5509214	POWER SUPPLY BOARD-OLD (6PIN)	1	
67	5509012	POWER SUPPLY BOARD -NEW	1	
68	6008845	SUPPORT PLATE	1	
69	5008030	PROTECTIVE WIRING	5	
70	5010040	WASHER 4	5	
71	5000068	WASHER 4	5	
72	5508004	UNIVERSAL RESISTOR	1	
73	5509025	COMPUTER BOARD	1	
74	5508014	SWITCH CONNECTION LINE	1	
75	5508007	POWER SWITCH	1	
76	5508006	CONE HANG HANDLE	2	
77	5508022	INSULATION WASHER	1	
78	5508029	RESISTANCE CLAMP	1	
79	5508021	PROTECTIVE WIRING	1	
80	5508005	TRANSFORMER 220V	1	
81	5509233	SENSOR WIRING 2600mm OLD	1	
82	5508019	SENSOR WIRING	1	
83	5509232	MAIN BOARD CONNECTION LINE	1	
84	5508020	MAIN BOARD CONNECTION	1	
85	5509040	PANEL WIRING	1	
86	6008517	SCALE ASSEMBLY	1	
87	5009015	SCREW M6X16	2	
88	5000007	WASHER 6	1	
89	6008522	SCALE ROD	1	
90	5508037	HARNESS	1	
91	6008523	SCALE HANDLE	1	
92	5508039	SCALE	1	
93	5508038	HARNESS	1	
94	5508036	SCALE HANDLE	1	
95	5002030	CIRCLIP 25	2	
96	5508035	SPRING	1	
97	5008009	SCREW M6×10	1	
98	5010058	WASHER 6	2	
99	6008502	WEIGHT TRAY	1	
100	5508030	DWB953 PANEL	1	
101	5008032	SCREW M3X25	4	
102	5509231	CB953 CPU&DISPLAY BOARD	1	
103	5508010	CB953 DISPLAY BOARD	1	
104	6008504	PANEL CONTROL DESK COVER	1	
105	6008505	NUT PRESS PLATE ASSEMBLY	1	
106	6008844	PRESS PLATE	1	
107	5010004	NUT M10	2	
108	6008507	BACK PRESS PLATE OF THE	1	
109	5508008	PRESS HAND WHEEL	2	
110	5008031	BOLT M10×25	2	

ITEM	PART №	Description.	QTY	NOTE
111	5009024	NUT M10	2	
112	6008844	PRESS PLATE	1	
113	5008005	SCREWS M3×16	4	
114	6008508	CONTROL DESK SUPPORT	1	
115	5508013	BEND PIPE PROTECTIVE	1	
116	5008045	BOLT M6X25	1	
117	5010214	WASHER 3	25	
118	5000079	WASHER 3	21	
119	5008026	NUT M3	23	
120	5509255	WHEEL GUARD	1	
121	6008521	CONNECTING BRACKET	1	
122	5508003	PLASTIC CLIPPER	2	
123	6008900	ACCESSORY CB953	1	
124	5508068	BALANCE HAMMAR	1	
125	5508026	BOWL	1	
126	6008536	LARGE CONE	1	
127	6008534	SMALL1 CONE	1	
128	5508032	CALIPER ASSEMBLY	1	
129	5508023	QUICK NUT (Φ 36)	1	
130	5508027	BOWL EDGE	1	
131	5508024	WEIGHT (100g)	1	
132	5508069	ACCESSORY BOX	1	
133	6008906	LARGE CONE	1	
134	6008905	MIDDLE CONE	1	
135	5509058	DISPLAY PANEL CABLE	1	
136	5509230	PHOTOCELL BOARD WIRING 2600mm	1	
137	5508018	PHOTOCELL BOARD WIRING	1	

ITEM	PART №	DESCRIPTION.	PS.		DETAIL	QTY
66	5509214	POWER SUPPLY BOARD -OLD_6PIN	220v			1
67	5509012	POWER SUPPLY BOARD -NEW 8PIN	110v~220v			1
81	5509233	SENSOR WIRING 2600mm OLD	From Sensor to mainboard(CPU&Displayboard)		Up to 070062#	1
82	5508019	SENSOR WIRING	From Sensor to CPU		From 070063#	1
83	5509232	MAIN BOARD CONNECTION LINE 2600mm (OLD)	From Powerboard to mainboard(CPU&Displayboard)		Up to 070062#	1
84	5508020	MAIN BOARD CONNECTION LINE	From Powerboard to CPU		From 070063#	1
136	5509230	PHOTOCELL BOARD WIRING 2600mm OLD	From AngleSensor to mainboard(CPU&Displayboard)		Up to 070062#	1
137	5508018	PHOTOCELL BOARD WIRING	From Angle Sensor to CPU		From 070063#	1